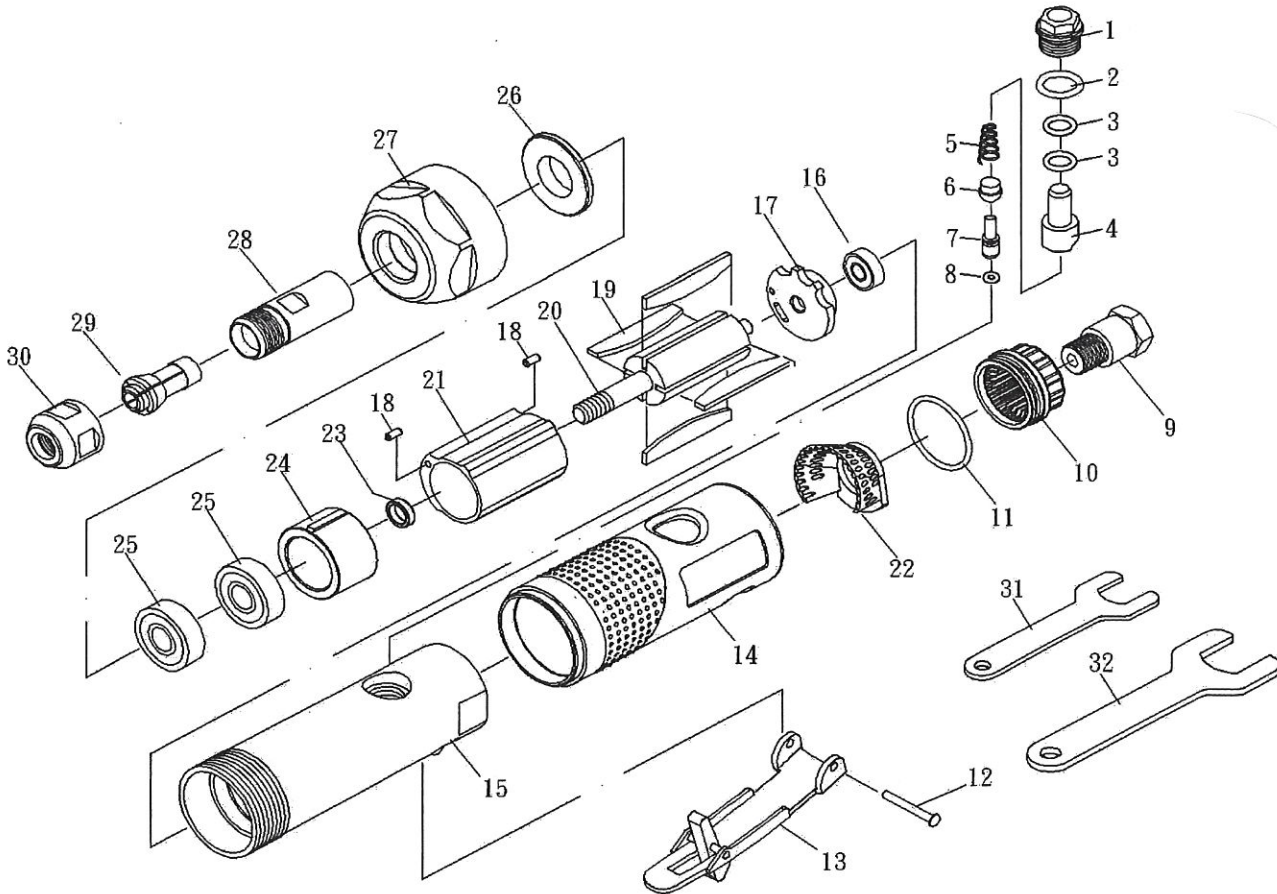


# PARTS LIST FOR G210R-B1



| ITEM NO. | PART NO. | DESCRIPTION        | ITEM NO. | PART NO. | DESCRIPTION        |
|----------|----------|--------------------|----------|----------|--------------------|
| 01       | 351-0184 | SCREW              | 17       | 351-0200 | REAR PLATE         |
| 02       | 351-0185 | O-RING             | 18       | 351-0201 | PIN                |
| 03       | 351-0186 | O-RING             | 19       | 351-0202 | ROTOR BLADE        |
| 04       | 351-0187 | AIR REGULATOR      | 20       | 351-0203 | ROTOR              |
| 05       | 351-0188 | SPRING             | 21       | 351-0204 | CYLINDER           |
| 06       | 351-0189 | VALVE STEM BUSHING | 22       | 351-0205 | CONE MUFFLER       |
| 07       | 351-0190 | VALVE STEM         | 23       | 351-0206 | BEARING SPACER     |
| 08       | 351-0191 | O-RING             | 24       | 351-0207 | FRONT PLATE        |
| 09       | 351-0192 | AIR INLET          | 25       | 351-0208 | BALL BEARING       |
| 10       | 351-0612 | EXHAUST SLEEVE     | 26       | 351-0209 | WASHER             |
| 11       | 351-0194 | O-RING(26.7*1.78)  | 27       | 351-0210 | CLAMP NUT          |
| 12       | 351-0195 | SPRING PIN         | 28       | 351-0211 | SPINDLE            |
| 13       | 351-0196 | LEVER              | 29       | 351-0212 | COLLET             |
| 14       | 351-0197 | PROTECTING RUBBER  | 30       | 351-0213 | COLLET NUT         |
| 15       | 351-0198 | HOUSING            | 31       | 351-0214 | STOP SPANNER 14M/M |
| 16       | 351-0199 | BEARING(696ZZ)     | 32       | 351-0215 | STOP SPANNER 19M/M |