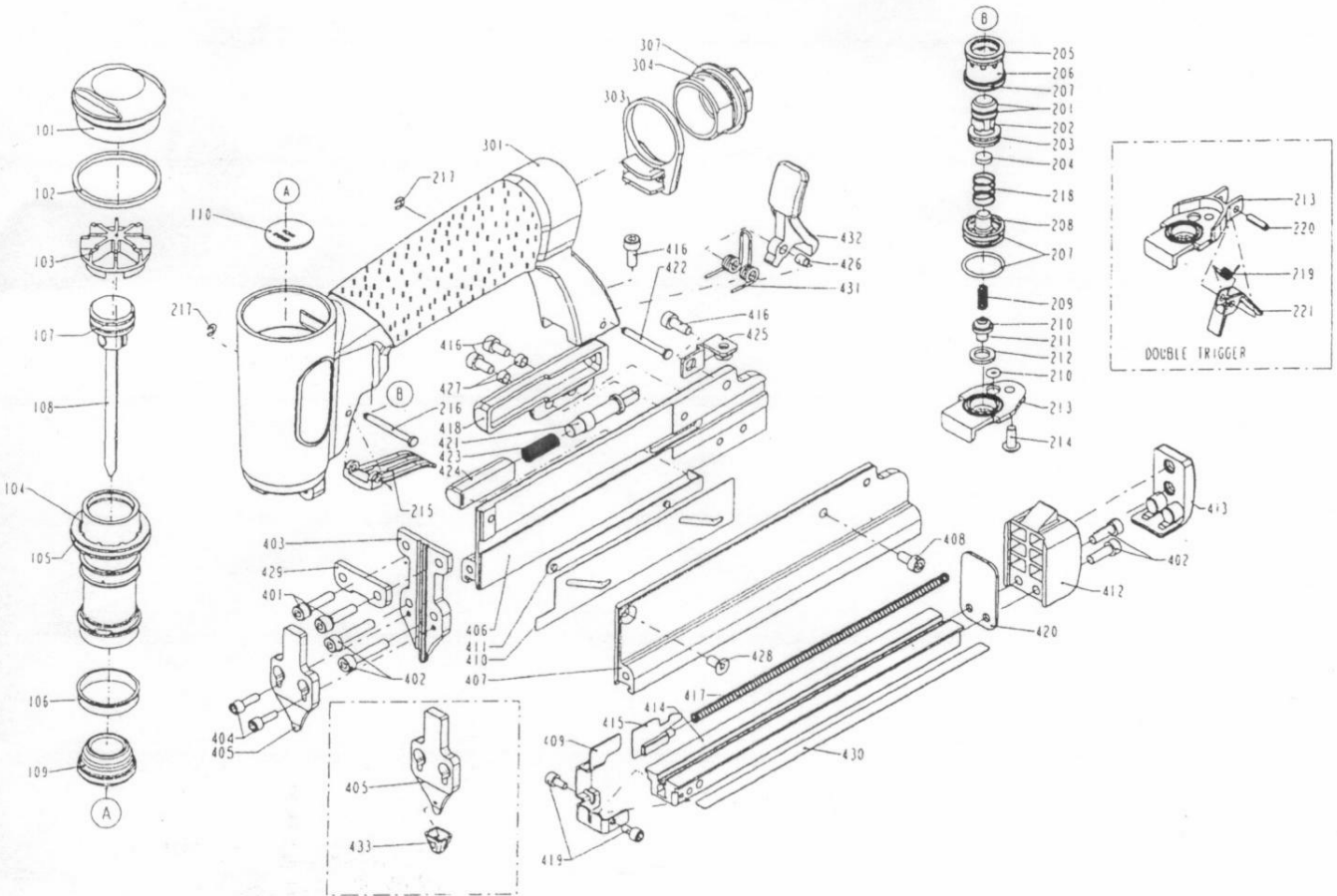


# DIAGRAM OF B23/25-A1



ITEM NO.	PART NO.	DESCRIPTION	ITEM NO.	PART NO.	DESCRIPTION	ITEM NO.	PART NO.	DESCRIPTION
101	11371-0034703-1	DEFLECTOR	304	11346-0031303-1	END CAP	432	11343-0264701-1	LATCH
102	1132M-0034701-1	PACKING	307	2041109-03050-0	O - RING	433	11339-0965501-1	PROTECTIVE CASING
103	11370-0034701-2	SEAL	401	2040100-02080-0	BOLT ASSY			
104	11320-0730001-1	CYLINDER	402	2040101-02080-0	HEX.SOC.HD.BOLT			
105	2041109-04070-0	O - RING	403	11303-0734703-1	DRIVER GUIDE			
106	11322-0034701-1	CYLINDER RING	404	2040101-01070-0	HEX.SOC.HD.BOLT			
107	2041106-02010-0	O - RING	405	11351-0734705-1	DRIVER GUIDE COVER			
108	11204-0730005-1	DRIVER UNIT	406	11391-0734702-1	MAGAZINE A			
109	11327-0734701-2	BUMPER	407	11391-0734703-1	MAGAZINE B			
110	11388-0734701-1	DRIVER GUIDE	408	2040101-02030-0	HEX.SOC.HD.BOLT			
201	2041104-01010-0	O - RING	409	11341-0734701-1	STOPPER			
202	1133S-0030001-2	VALVE PLUNGER	410	11396-0734702-1	STEEL CHANNEL			
203	2041102-02070-0	O - RING	411	1137U-0734701-1	ADJUSTING LEVER			
204	1130J-0034701-1	CUSHION	412	11390-0734701-1	PROTECTING HOOD COVER A			
205	2041102-02050-0	O - RING	413	11390-0734702-1	PROTECTING HOOD COVER B			
206	11373-0030001-2	TRIGGER VALVE HEAD	414	11389-0734703-1	MAGAZINE A			
207	2041102-02080-0	O - RING	415	11247-0734701-1	PUSHER UNIT			
208	11374-0030001-1	PLUNGER CAP	416	2040101-02040-0	HEX.SOC.HD.BOLT			
209	1133U-0014701-1	SPRING	417	11367-0734702-1	PUSHER SPRING			
210	2041104-01020-0	O - RING	418	1136T-0734701-1	PULL SPRING			
211	11375-0034701-1	PLUNGER	419	2040101-01040-0	HEX.SOC.HD.BOLT			
212	11399-0033001-1	COLLAR	420	11347-0734702-1	REAR PLATE			
213	1133T-0114701-2	PLUNGER CAP	421	11324-0734702-1	FIXED PIN			
214	2040102-02040-0	HALF ROUND HD.HEX.BOLT	422	11344-0034701-1	LATCH PIN			
215	11316-0034701-2	TRIGGER	423	1137T-0734701-1	SPRING			
216	11318-0034701-1	TRIGGER PIVOT PIN	424	1134R-0734701-1	SAFETY COVER			
217	2040302-22010-0	E - RING	425	11323-0734701-1	BRACKET			
218	11376-0034701-1	SPRING	426	11398-0734701-1	LATCH SPRING BUSHING A			
219	11315-0040001-1	SPRING	427	11398-0734702-1	LATCH SPRING BUSHING B			
220	2040400-05060-0	SPRING PIN	428	2040103-02050-0	COUNTER SUNK SCREW			
221	1136S-0044701-2	SAFETY STOPPER	429	11380-0734703-1	GASKET			
301	11230-0034202-1	GUN BODY UNIT	430	11377-0730001-1	FLAT BAR			
303	11394-0034701-2	GUIDE PLATE	431	11315-0260001-1	SPRING			