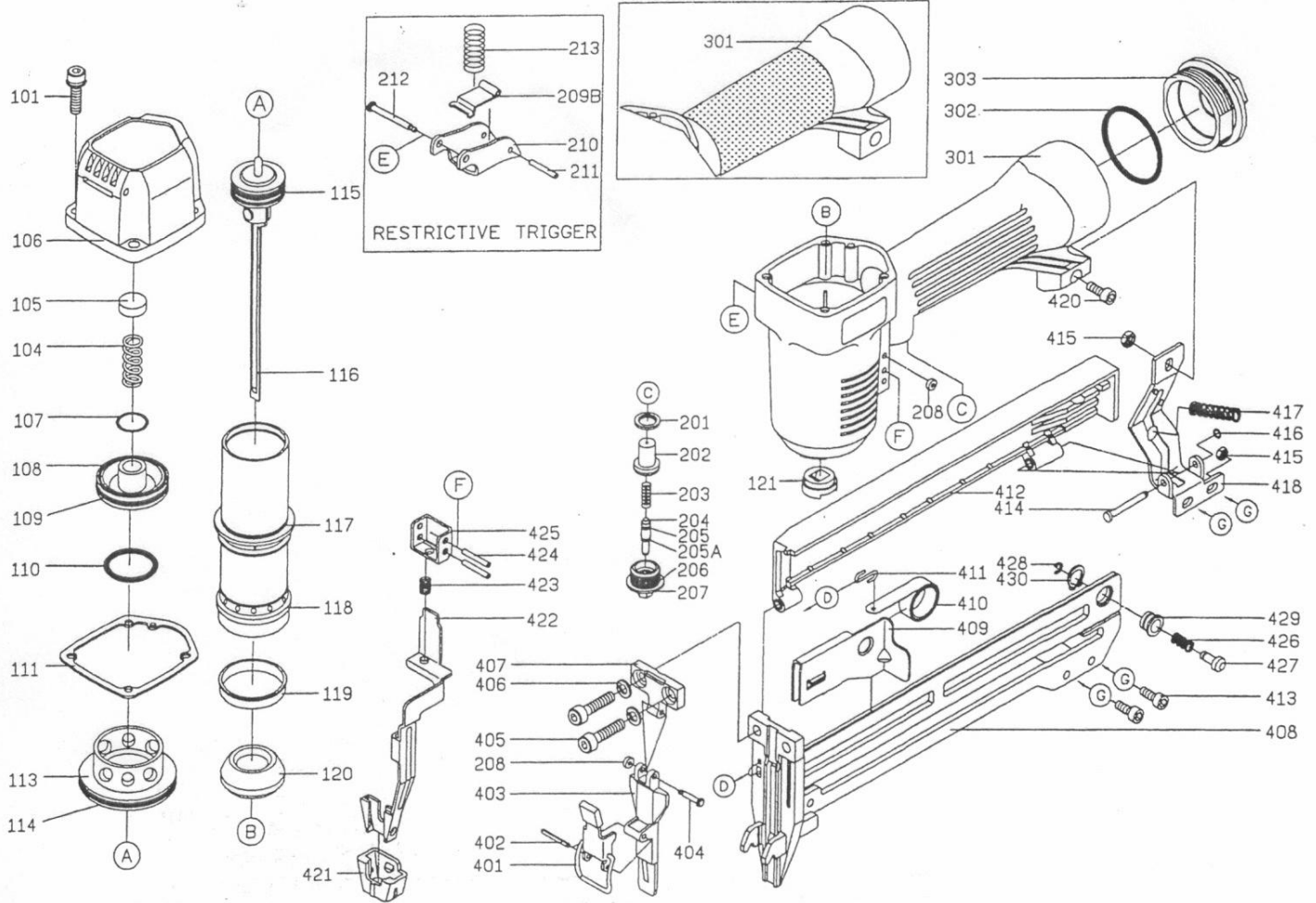


DIAGRAM OF 90/40LW



ITEM NO.	PART NO.	DESCRIPTION	ITEM NO.	PART NO.	DESCRIPTION	ITEM NO.	PART NO.	DESCRIPTION
101	2040100-03030-0	BOLT ASSY	302	2041109-04060-0	O - RING			
104	11360-0010001-3	COMPRESSION SPRING	303	11346-0011301-1	END CAP			
105	11370-0010003-1	SEAL	401	11244-0390001-1	LOCK HANDLE UNIT			
106	11201-0394301-1	CAP UNIT	403	11352-0684701-1	DRIVER GUIDE COVER A			
107	2041100-02020-0	O - RING	404	11324-0684701-1	FIXED PIN			
108	11368-0010006-1	HD.VALVE PISTON	405	2040100-03030-2	BOLT ASSY			
109	2041108-04010-0	O - RING	407	11353-0684701-1	DRIVER GUIDE COVER B			
110	2041108-03120-0	O - RING	408	11241-0680001-1	DRIVER GUIDE UNIT			
111	1132M-0010001-2	PACKING	409	11363-0684701-1	PUSHER			
113	11399-0010002-1	COLLAR	410	11372-0680001-1	SPRING			
114	2041109-05020-0	O - RING	411	1133D-0684701-1	SPRING RETAINER			
115	2041108-03010-0	O - RING	412	11348-0680001-2	MOUNTING BRACKET			
116	11204-0680008-1	DRIVER UNIT	413	2040101-02040-0	HEX.SOC.HD.BOLT			
117	2041104-03010-0	O - RING	414	11344-0684701-1	LATCH PIN			
118	11320-0680001-2	CYLINDER	415	2040500-02010-0	LOCK NUT			
119	11322-0010001-1	CYLINDER RING	416	2040302-22010-0	E - RING			
120	11327-0390001-1	BUMPER	417	11337-0394701-1	SAFETY SPRING			
121	11301-0010001-2	JOINT GUIDE	418	11323-0684701-1	BRACKET			
201	1133R-0010001-1	SEAL	420	2040101-02080-0	HEX.SOC.HD.BOLT			
202	11373-0010002-2	TRIGGER VALVE HEAD	421	11339-0680001-1	PROTECTIVE CASING			
203	1133U-0014701-1	SPRING	422	11330-0684701-1	SAFETY			
204	11375-0014702-1	TRIGGER VALVE STEM	424	2040400-05130-0	SPRING PIN			
205	2041102-01030-0	O - RING	425	11338-0014701-1	SAFETY GUIDE			
205A	2041102-01031-0	O - RING	426	11311-0074701-1	LATCH SPRING			
206	2041105-02010-0	O - RING	427	11310-0074701-1	DOOR LATCH			
207	11374-0014702-1	TRIGGER VALVE GUIDE	428	2040302-23010-0	E - RING			
208	1131D-0460001-1	URETHANE RETAINER	429	1130W-0684701-1	DOOR LATCH COVER			
209B	11317-0684701-1	SECONDARY TRIGGER	430	2040301-10010-0	SNAP RING			
210	11316-0681101-2	TRIGGER						
211	2040400-04080-0	SPRING PIN						
212	11318-0464701-1	TRIGGER PIVOT PIN						
213	11376-0010001-1	SPRING						
301	11230-0014201-1	GUN BODY UNIT						