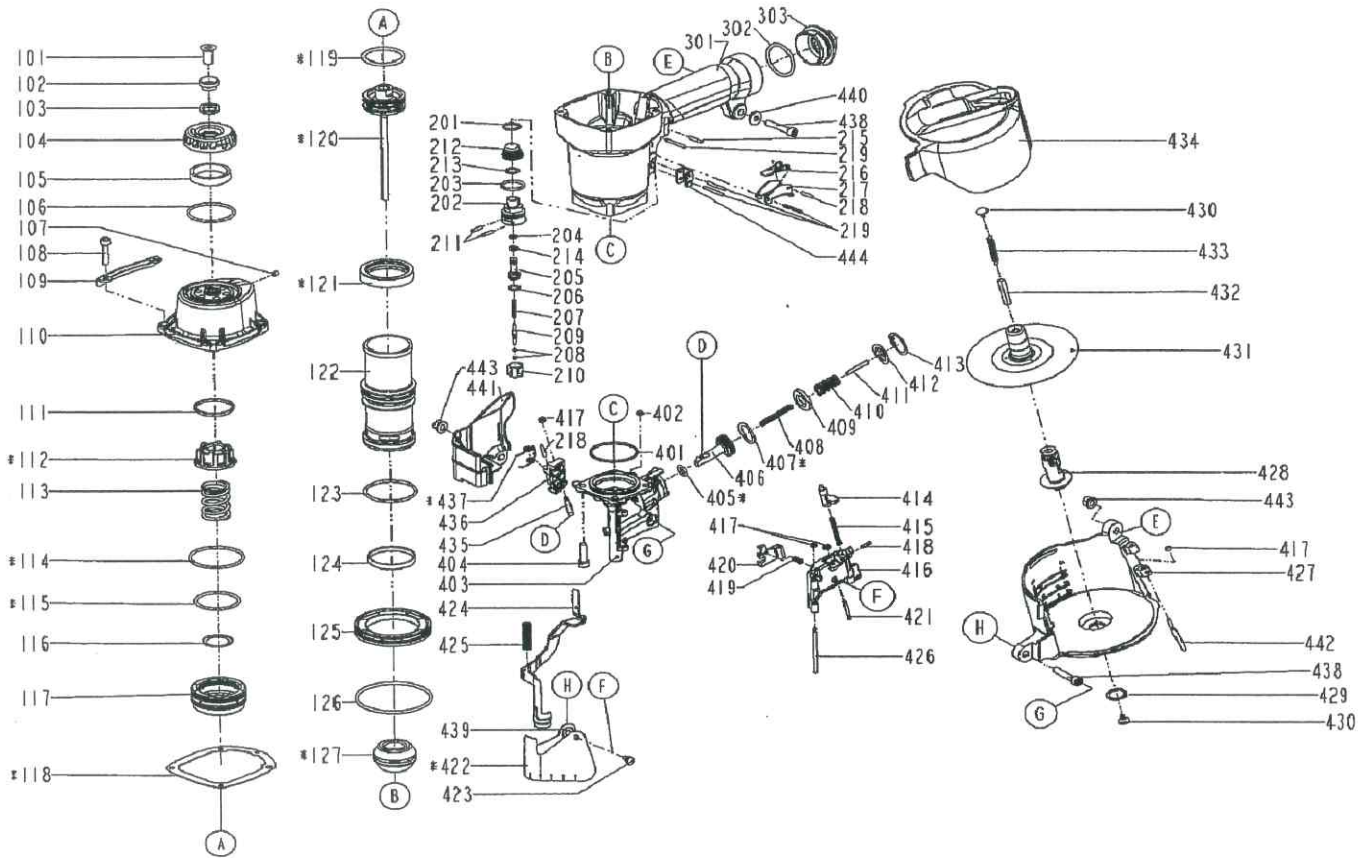


# DIAGRAM OF C25/57-A1



ITEM NO.	PART NO.	DESCRIPTION	ITEM NO.	PART NO.	DESCRIPTION	ITEM NO.	PART NO.	DESCRIPTION
101	2040103-05010-2	COUNTER SUNK SCREW	207	11376-0860001-1	SPRING	418	2040400-05060-0	SPRING PIN
102	11381-0954702-1	WASHER	208	2041108-01020-0	O - RING	419	1133C-0860001-1	STOPPER FINGER SPRING
103	1135G-0460001-1	RUBBER PAD	209	11375-0860002-1	PLUNGER	420	11358-0954701-1	NAIL STOP
104	11371-0954701-1	DEFLECTOR	210	11373-0860001-1	TRIGGER VALVE HEAD	421	11359-0954701-1	PIN-NAIL STOP
105	1132T-0780001-1	MUFFLER	211	11329-0860001-1	PIN	422	11383-0950001-1	MUZZLE PROTECTOR
106	2041102-05050-0	O - RING	212	1137A-0860001-1	COVER-PLUNGER	423	1134B-0864701-1	DUST SHIELD PLUG
107	2040104-03010-0	HEX.SOC.HD.SCREW	213	2041104-02070-0	O - RING	424	11330-0954701-1	SAFETY
108	2040101-04091-2	HEX.SOC.HD.BOLT	214	2041100-01050-0	O - RING	425	11337-0954701-1	SAFETY SPRING
109	11397-0954701-1	GUIDE COVER	215	2040401-05100-0	SPIRAL PINS	426	11362-0954701-1	DOOR SHAFT PIN
110	11369-0951301-1	CAP	216	11317-0864701-2	SECONDARY TRIGGER	427	11354-0954701-5	MAGAZINE CASE
111	11381-0950001-1	WASHER SEAL	217	11316-0864701-3	TRIGGER	428	11357-0954701-1	MAGAEING POST
112	11370-0950001-1	SEAL	218	2040401-05080-0	SPIRAL PINS	429	1138Y-0954701-2	RUBBER RING
113	11360-0950001-2	COMPRESSION SPRING	219	2040401-05150-0	SPIRAL PINS	430	1134M-0864701-1	SPRING BASE
114	2041104-06050-0	O - RING	301	11230-0954201-1	GUN BODY UNIT	431	11356-0950001-1	NAIL HOLDER
115	2041109-05100-0	O - RING	302	2041101-04020-0	O - RING	432	1138W-0860001-1	SPACER
116	11381-0950002-1	WASHER	303	11346-0951301-1	END CAP	433	11328-0860001-1	PULL SPRING
117	11368-0950003-1	HD.VALVE PISTON (ALU.)	401	2041109-05110-0	O - RING	434	11355-0954703-1	MAGAZINE COVER
118	11302-0954702-1	CYLINDER CAP SEAL	402	2041108-01010-0	O - RING	435	11365-0864701-1	PIN FEED PISTON
119	2041100-04031-0	O - RING	403	11382-1304701-1	NOSE PIECE	436	11306-0954701-1	FEED FINGER 2.1/2.3 FLAT
120	11204-0950001-3	DRIVER UNIT	404	2040101-04200-0	HEX.SOC.HD.BOLT	437	11307-0864701-1	FEED FINGER SPRING
121	11399-0954701-1	COLLAR	405	2041100-01090-0	O - RING	438	2040101-04051-0	HEX.SOC.HD.BOLT
122	11320-0950001-1	CYLINDER	406	11364-0954701-1	FEED PISTON	439	1135U-1010001-1	PROTECTOR WASHER
123	2041104-06060-0	O - RING	407	2041100-03051-0	O - RING	440	2040202-04010-0	FLAT WASHER
124	11322-0954701-1	CYLINDER RING	408	11367-0954702-1	PUSHER SPRING B	441	1134R-0954701-1	SPRING COVER
125	11321-0950001-1	CYLINDER SPACER	409	1134W-0950001-1	FEED BUMPER	442	1136R-0954701-1	MAGAZINE SHAFT PIN
126	2041101-08020-0	O - RING	410	11367-0954701-1	PUSHER SPRING A	443	2040501-04010-0	BOLT CAP
127	11327-0954701-1	BUMPER	411	11395-0954701-1	ROD	444	11338-0864701-2	SAFETY GUIDE
201	2041104-02060-0	O - RING	412	11366-0954701-1	FEED PISTON CAP			
202	11374-0860001-1	PLUNGER CAP	413	2040300-02010-0	C - RING			
203	2041100-02050-0	O - RING	414	11310-0864701-1	DOOR LATCH			
204	2041100-01070-0	O - RING	415	11311-0860001-1	LATCH SPRING			
205	1133S-0860001-1	VALVE PLUNGER	416	11361-0954701-3	DOOR			
206	2041100-01030-0	O - RING	417	1135H-0860001-1	PU RETAINER			