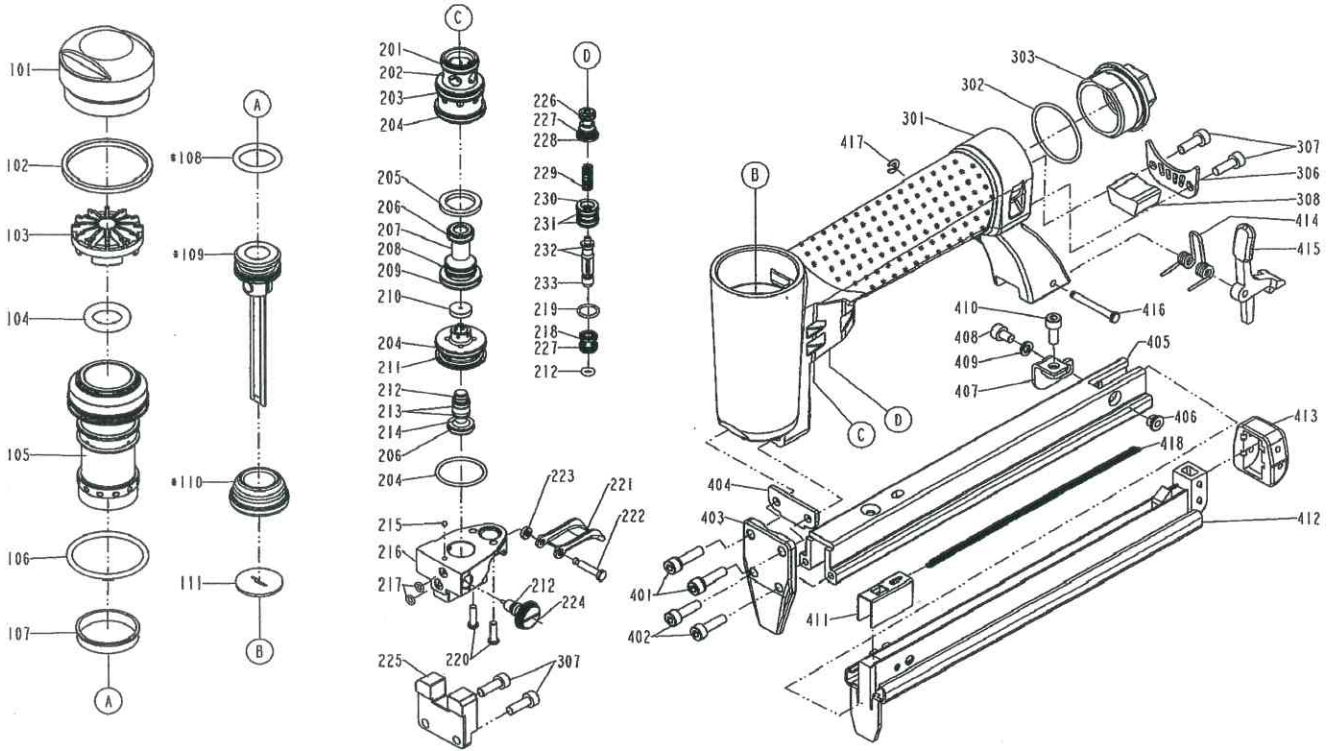


# DIAGRAM OF S7116AUTO-C1



| ITEM NO. | PART NO.        | DESCRIPTION          | ITEM NO. | PART NO.        | DESCRIPTION           | ITEM NO. | PART NO.        | DESCRIPTION |
|----------|-----------------|----------------------|----------|-----------------|-----------------------|----------|-----------------|-------------|
| 101      | 11371-0034704-1 | DEFLECTOR            | 223      | 1131D-0460001-1 | FIXED PIN RETAINER    | 417      | 2040302-22010-0 | E - RING    |
| 102      | 1132M-0034701-1 | PACKING              | 224      | 11393-0034701-1 | ADJUST AXIE           | 418      | 11328-0030001-1 | PULL SPRING |
| 103      | 11370-0034702-2 | SEAL                 | 225      | 1131F-0034702-1 | ANCHOR BLOCK          |          |                 |             |
| 104      | 2041107-02011-0 | O - RING             | 226      | 2041109-01150-0 | O - RING              |          |                 |             |
| 105      | 11320-0030005-2 | CYLINDER             | 227      | 2041109-01060-0 | O - RING              |          |                 |             |
| 106      | 2041109-04070-0 | O - RING             | 228      | 11373-0030005-1 | TRIGGER VALVE HEAD C  |          |                 |             |
| 107      | 11322-0034701-1 | CYLINDER RING        | 229      | 1133U-0014701-1 | SPRING                |          |                 |             |
| 108      | 2041106-02010-0 | O - RING             | 230      | 11373-0030003-1 | TRIGGER VALVE HEAD    |          |                 |             |
| 109      | 11204-0034701-1 | DRIVER UNIT          | 231      | 2041109-01020-0 | O - RING              |          |                 |             |
| 110      | 11327-0734701-2 | BUMPER               | 232      | 2041104-01070-0 | O - RING              |          |                 |             |
| 111      | 11388-0034701-1 | DRIVER GUIDE         | 233      | 11375-0034702-1 | TRIGGER VALVE STEM A  |          |                 |             |
| 201      | 2041109-02120-0 | O - RING             | 301      | 11230-0036609-1 | GUN BODY UNIT         |          |                 |             |
| 202      | 11373-0030004-2 | TRIGGER VALVE HEAD B | 302      | 2041109-03040-0 | O - RING              |          |                 |             |
| 203      | 2041104-02080-0 | O - RING             | 303      | 11346-0031301-1 | END CAP               |          |                 |             |
| 204      | 2041109-03030-0 | O - RING             | 306      | 11394-0034702-1 | GUIDE PLATE           |          |                 |             |
| 205      | 11399-0034701-1 | COLLAR               | 307      | 2040101-02060-0 | HEX.SOC.HD.BOLT       |          |                 |             |
| 206      | 2041108-01040-0 | O - RING             | 308      | 1132T-0030002-1 | MUFFLER               |          |                 |             |
| 207      | 1133S-0030003-2 | VALVE PLUNGER A      | 401      | 2040100-02080-2 | BOLT WITH WASHER      |          |                 |             |
| 208      | 2041104-02071-0 | O - RING             | 402      | 2040101-02070-2 | HEX.SOC.HD.BOLT       |          |                 |             |
| 209      | 2041104-02061-0 | O - RING             | 403      | 11351-0034701-1 | DRIVER GUIDE COVER    |          |                 |             |
| 210      | 1130J-0034702-1 | CUSHION              | 404      | 11380-0034701-1 | GASKET                |          |                 |             |
| 211      | 11374-0030003-1 | PLUNGER CAP          | 405      | 11391-0034701-2 | MAGAZINE B            |          |                 |             |
| 212      | 2041104-01020-0 | O - RING             | 406      | 1131F-0034701-1 | ANCHOR BLOCK          |          |                 |             |
| 213      | 2041104-01080-0 | O - RING             | 407      | 11323-0034701-3 | BRACKET               |          |                 |             |
| 214      | 1133S-0030004-1 | VALVE PLUNGER B      | 408      | 2040101-02020-0 | HEX.SOC.HD.BOLT       |          |                 |             |
| 215      | 2040800-05010-0 | BALL                 | 409      | 2040201-02040-0 | FLAT WASHER           |          |                 |             |
| 216      | 1133T-0034702-1 | PLUNGER CAP          | 410      | 2040101-02040-0 | HEX.SOC.HD.BOLT       |          |                 |             |
| 217      | 2041109-01080-0 | O - RING             | 411      | 11363-0034702-1 | PUSHER                |          |                 |             |
| 218      | 11373-0030006-1 | TRIGGER VALVE HEAD D | 412      | 11241-0034701-2 | DRIVER GUIDE UNIT     |          |                 |             |
| 219      | 2041109-01030-0 | O - RING             | 413      | 11390-0034701-1 | PROTECTING HOOD COVER |          |                 |             |
| 220      | 2040105-01020-0 | ROUND CROSS SCREW    | 414      | 11315-0034702-1 | SPRING                |          |                 |             |
| 221      | 11316-0034703-1 | TRIGGER              | 415      | 11343-0034702-1 | LATCH                 |          |                 |             |
| 222      | 11324-0684702-1 | FIXED PIN            | 416      | 11344-0034701-1 | LATCH PIN             |          |                 |             |